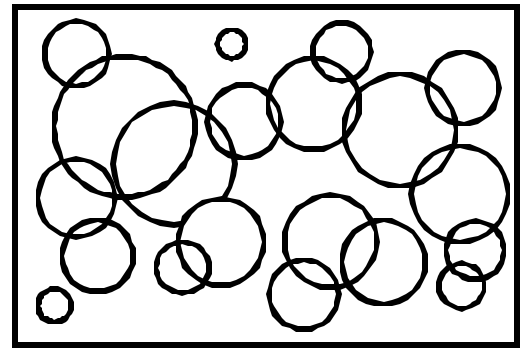


Name: \_\_\_\_\_ Date: \_\_\_\_\_

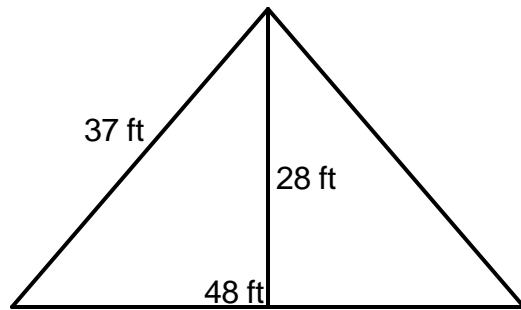
Teacher: \_\_\_\_\_ Class: \_\_\_\_\_

# Perimeter and Area

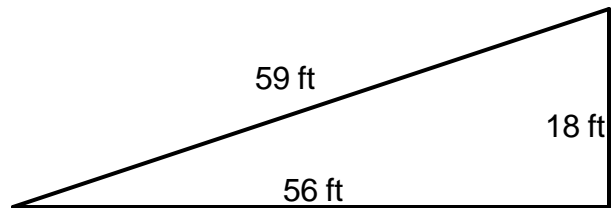
Find the area.



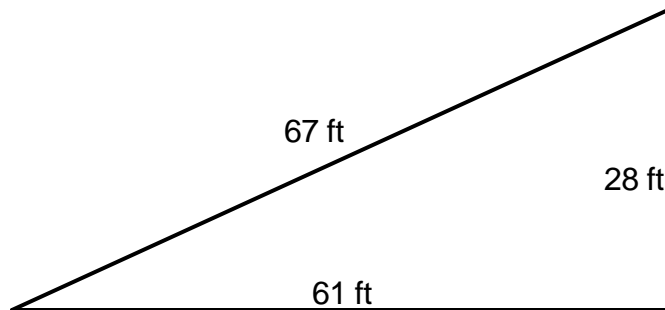
1. \_\_\_\_\_



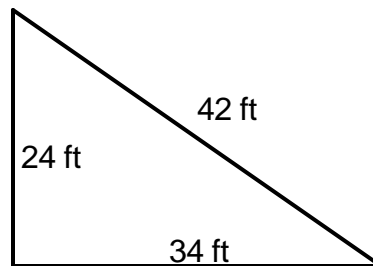
4. \_\_\_\_\_



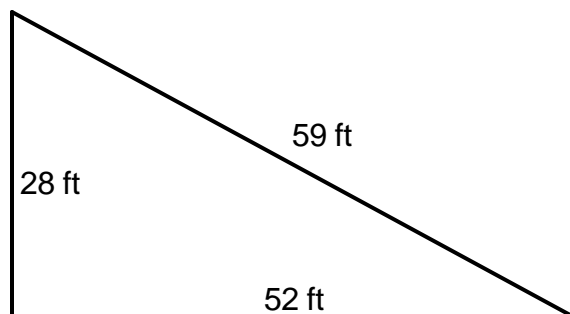
2. \_\_\_\_\_



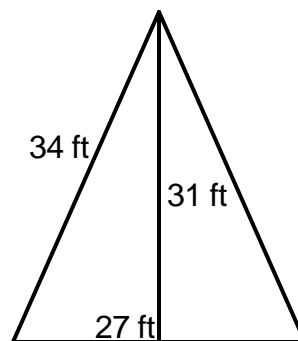
5. \_\_\_\_\_



3. \_\_\_\_\_



6. \_\_\_\_\_



Answer Key

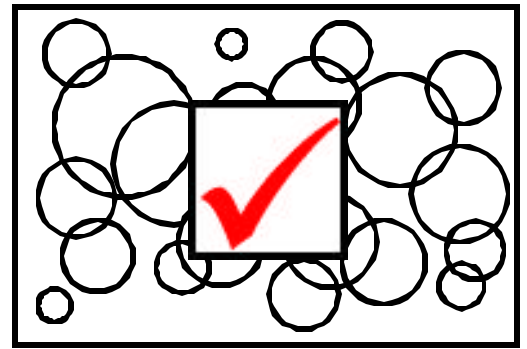
Date: \_\_\_\_\_

Teacher: \_\_\_\_\_

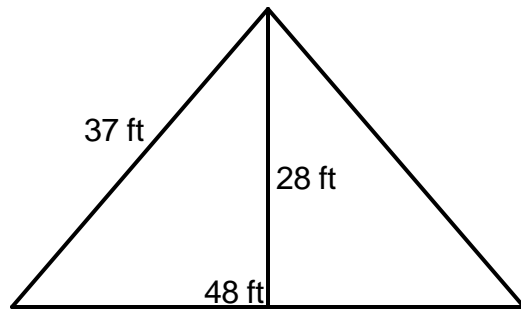
Class: \_\_\_\_\_

# Perimeter and Area

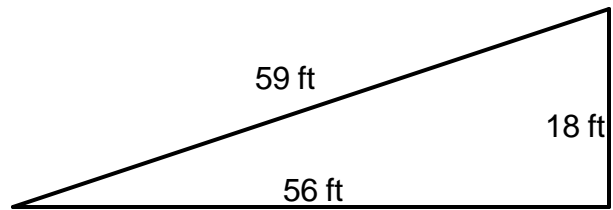
Find the area.



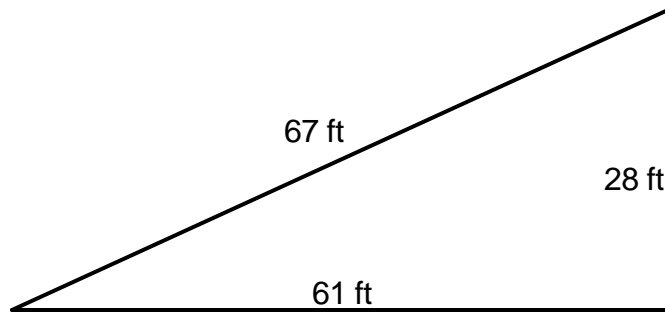
1.  $A=672\text{ft}^2$  \_\_\_\_\_



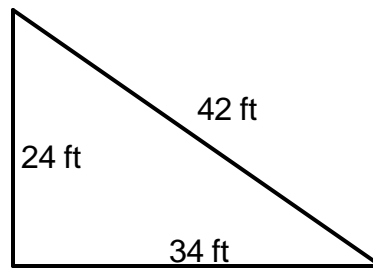
4.  $A=504\text{ft}^2$  \_\_\_\_\_



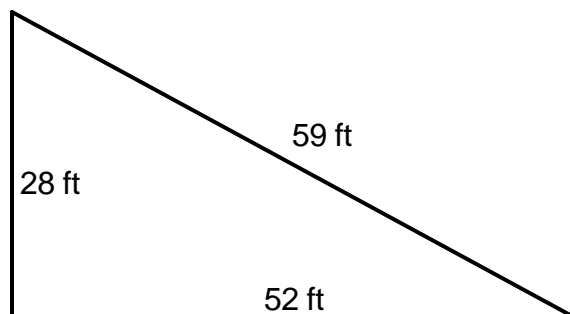
2.  $A=854\text{ft}^2$  \_\_\_\_\_



5.  $A=408\text{ft}^2$  \_\_\_\_\_



3.  $A=728\text{ft}^2$  \_\_\_\_\_



6.  $A=419\text{ft}^2$  \_\_\_\_\_

